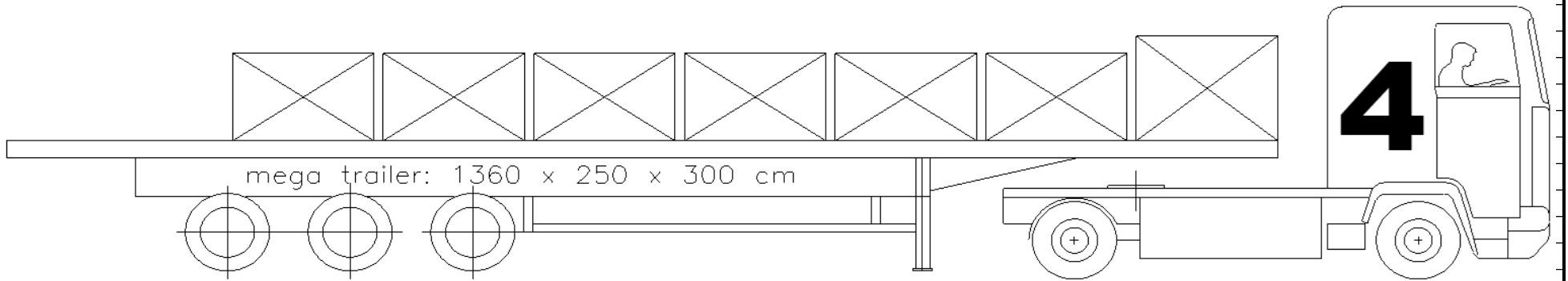
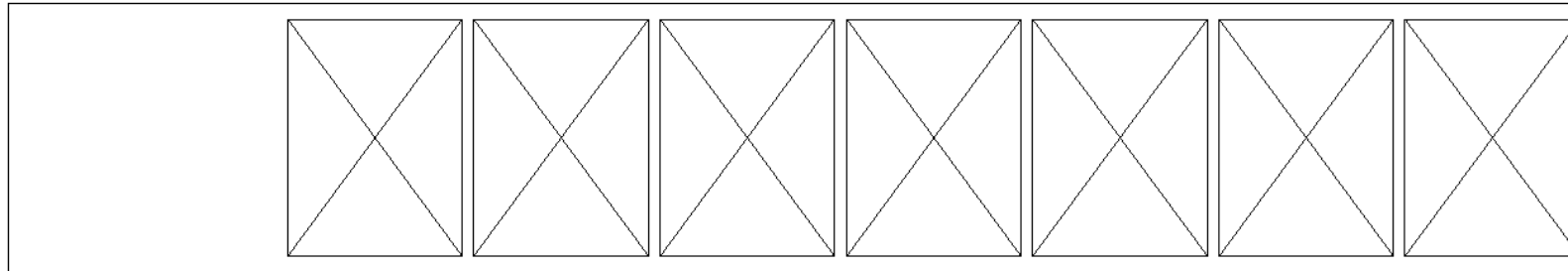


☑	Line Item	Rev.	#	Description	Production Order no.	Part no.	Drawing no.	O.D.	Collo marking	Package	Dimensions [cm]			18185 net	18535 gross
											length	width	height		



Remarks:

Ready for shipment and loaded:	Name:	Date:	Signed:
--------------------------------	-------	-------	---------