

Item	Qty	Part No.	Description	Weight
16	2	100001	O-Ring 128.42x2.62 No 164	0,0 kg
15	8	201907	O-Ring 3.53 x 15,47, ARP no. 268	0,0 kg
14	2	100000	DNA Ring 01000000 - 2B	0,3 kg
13	8	100095	Belt 12.9 DIN 912 - M12x40	0,1 kg
12	8	100091	Lock Washer Galv. - M12	0,0 kg
11	8	100031	Belt 12.9 DIN 912 - M8x25	0,0 kg
10	8	100025	Belt 12.9 DIN 912 - M8x30	0,0 kg
9	16	101295	Lock Washer Galv. - M8	0,0 kg
8	1	201856	Shaft End HP Model	8,6 kg
7	2	201870	Lamella HP Model	6,3 kg
6	8	100294	O-Ring 2.52 x 47, ARP no. 112	0,0 kg
5	4	201854	Wearing Bar HP Model (B)	0,6 kg
4	4	201853	Wearing Bar HP Model (A)	0,6 kg
3	2	201857	Guiding Cross - Outer Part HP Model	0,5 kg
2	2	201856	Guiding Cross - Inner Part HP Model	0,5 kg
1	1	201855	Rotor HP Model	35,6 kg

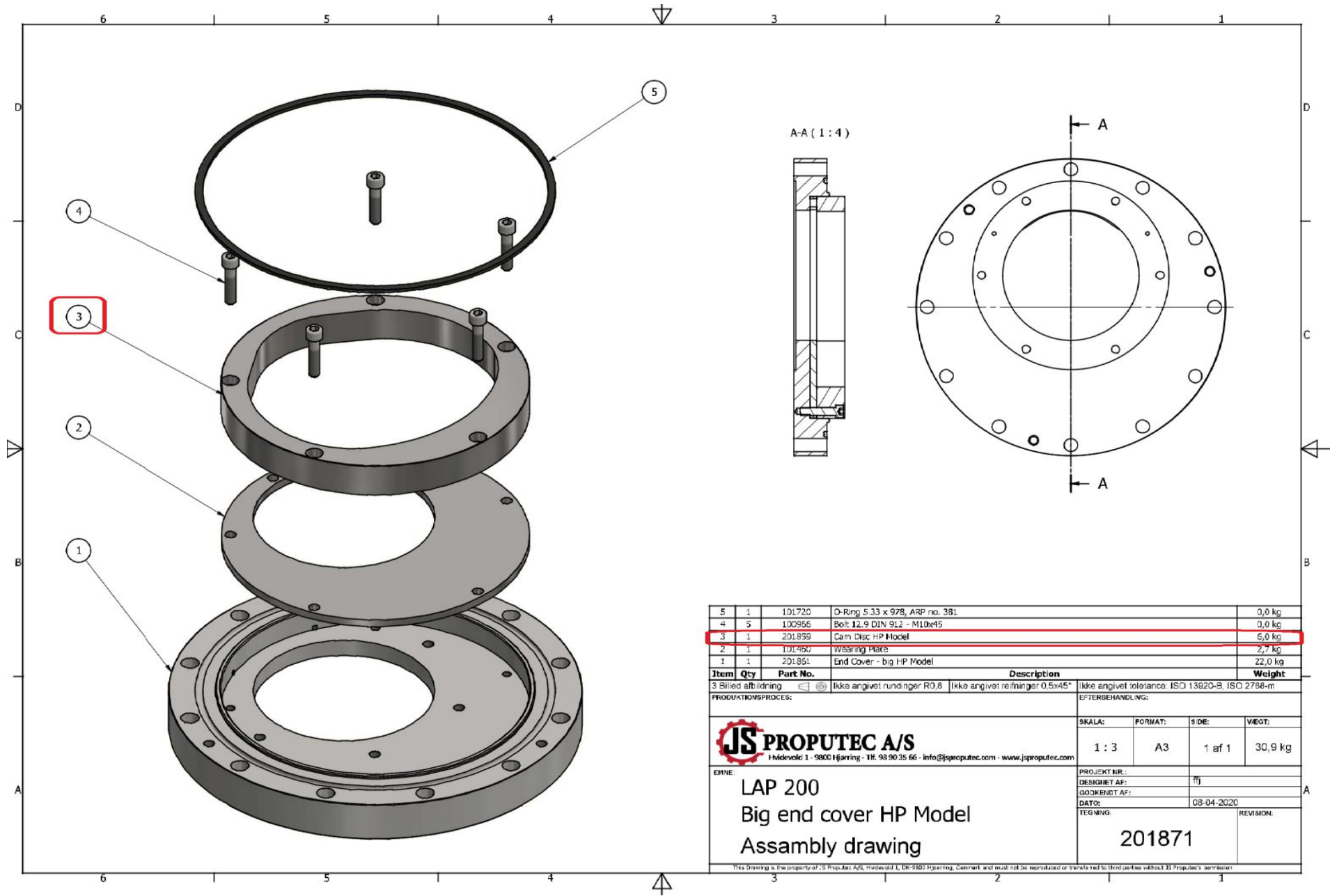
3 Bleed air (dring) (C) (D) (E) (F) (G) (H) (I) (J) (K) (L) (M) (N) (O) (P) (Q) (R) (S) (T) (U) (V) (W) (X) (Y) (Z) (AA) (AB) (AC) (AD) (AE) (AF) (AG) (AH) (AI) (AJ) (AK) (AL) (AM) (AN) (AO) (AP) (AQ) (AR) (AS) (AT) (AU) (AV) (AW) (AX) (AY) (AZ) (BA) (BB) (BC) (BD) (BE) (BF) (BG) (BH) (BI) (BJ) (BK) (BL) (BM) (BN) (BO) (BP) (BQ) (BR) (BS) (BT) (BU) (BV) (BW) (BX) (BY) (BZ) (CA) (CB) (CC) (CD) (CE) (CF) (CG) (CH) (CI) (CJ) (CK) (CL) (CM) (CN) (CO) (CP) (CQ) (CR) (CS) (CT) (CU) (CV) (CW) (CX) (CY) (CZ) (DA) (DB) (DC) (DD) (DE) (DF) (DG) (DH) (DI) (DJ) (DK) (DL) (DM) (DN) (DO) (DP) (DQ) (DR) (DS) (DT) (DU) (DV) (DW) (DX) (DY) (DZ) (EA) (EB) (EC) (ED) (EE) (EF) (EG) (EH) (EI) (EJ) (EK) (EL) (EM) (EN) (EO) (EP) (EQ) (ER) (ES) (ET) (EU) (EV) (EW) (EX) (EY) (EZ) (FA) (FB) (FC) (FD) (FE) (FF) (FG) (FH) (FI) (FJ) (FK) (FL) (FM) (FN) (FO) (FP) (FQ) (FR) (FS) (FT) (FU) (FV) (FW) (FX) (FY) (FZ) (GA) (GB) (GC) (GD) (GE) (GF) (GG) (GH) (GI) (GJ) (GK) (GL) (GM) (GN) (GO) (GP) (GQ) (GR) (GS) (GT) (GU) (GV) (GW) (GX) (GY) (GZ) (HA) (HB) (HC) (HD) (HE) (HF) (HG) (HH) (HI) (HJ) (HK) (HL) (HM) (HN) (HO) (HP) (HQ) (HR) (HS) (HT) (HU) (HV) (HW) (HX) (HY) (HZ) (IA) (IB) (IC) (ID) (IE) (IF) (IG) (IH) (II) (IJ) (IK) (IL) (IM) (IN) (IO) (IP) (IQ) (IR) (IS) (IT) (IU) (IV) (IW) (IX) (IY) (IZ) (JA) (JB) (JC) (JD) (JE) (JF) (JG) (JH) (JI) (JJ) (JK) (JL) (JM) (JN) (JO) (JP) (JQ) (JR) (JS) (JT) (JU) (JV) (JW) (JX) (JY) (JZ) (KA) (KB) (KC) (KD) (KE) (KF) (KG) (KH) (KI) (KJ) (KK) (KL) (KM) (KN) (KO) (KP) (KQ) (KR) (KS) (KT) (KU) (KV) (KW) (KX) (KY) (KZ) (LA) (LB) (LC) (LD) (LE) (LF) (LG) (LH) (LI) (LJ) (LK) (LL) (LM) (LN) (LO) (LP) (LQ) (LR) (LS) (LT) (LU) (LV) (LW) (LX) (LY) (LZ) (MA) (MB) (MC) (MD) (ME) (MF) (MG) (MH) (MI) (MJ) (MK) (ML) (MN) (MO) (MP) (MQ) (MR) (MS) (MT) (MU) (MV) (MW) (MX) (MY) (MZ) (NA) (NB) (NC) (ND) (NE) (NF) (NG) (NH) (NI) (NJ) (NK) (NL) (NM) (NO) (NP) (NQ) (NR) (NS) (NT) (NU) (NV) (NW) (NX) (NY) (NZ) (OA) (OB) (OC) (OD) (OE) (OF) (OG) (OH) (OI) (OJ) (OK) (OL) (OM) (ON) (OO) (OP) (OQ) (OR) (OS) (OT) (OU) (OV) (OW) (OX) (OY) (OZ) (PA) (PB) (PC) (PD) (PE) (PF) (PG) (PH) (PI) (PJ) (PK) (PL) (PM) (PN) (PO) (PP) (PQ) (PR) (PS) (PT) (PU) (PV) (PW) (PX) (PY) (PZ) (QA) (QB) (QC) (QD) (QE) (QF) (QG) (QH) (QI) (QJ) (QK) (QL) (QM) (QN) (QO) (QP) (QQ) (QR) (QS) (QT) (QU) (QV) (QW) (QX) (QY) (QZ) (RA) (RB) (RC) (RD) (RE) (RF) (RG) (RH) (RI) (RJ) (RK) (RL) (RM) (RN) (RO) (RP) (RQ) (RR) (RS) (RT) (RU) (RV) (RW) (RX) (RY) (RZ) (SA) (SB) (SC) (SD) (SE) (SF) (SG) (SH) (SI) (SJ) (SK) (SL) (SM) (SN) (SO) (SP) (SQ) (SR) (SS) (ST) (SU) (SV) (SW) (SX) (SY) (SZ) (TA) (TB) (TC) (TD) (TE) (TF) (TG) (TH) (TI) (TJ) (TK) (TL) (TM) (TN) (TO) (TP) (TQ) (TR) (TS) (TT) (TU) (TV) (TW) (TX) (TY) (TZ) (UA) (UB) (UC) (UD) (UE) (UF) (UG) (UH) (UI) (UJ) (UK) (UL) (UM) (UN) (UO) (UP) (UQ) (UR) (US) (UT) (UU) (UV) (UW) (UX) (UY) (UZ) (VA) (VB) (VC) (VD) (VE) (VF) (VG) (VH) (VI) (VJ) (VK) (VL) (VM) (VN) (VO) (VP) (VQ) (VR) (VS) (VT) (VU) (VV) (VW) (VX) (VY) (VZ) (WA) (WB) (WC) (WD) (WE) (WF) (WG) (WH) (WI) (WJ) (WK) (WL) (WM) (WN) (WO) (WP) (WQ) (WR) (WS) (WT) (WU) (WV) (WW) (WX) (WY) (WZ) (XA) (XB) (XC) (XD) (XE) (XF) (XG) (XH) (XI) (XJ) (XK) (XL) (XM) (XN) (XO) (XP) (XQ) (XR) (XS) (XT) (XU) (XV) (XW) (XX) (XY) (XZ) (YA) (YB) (YC) (YD) (YE) (YF) (YG) (YH) (YI) (YJ) (YK) (YL) (YM) (YN) (YO) (YP) (YQ) (YR) (YS) (YT) (YU) (YV) (YW) (YX) (YZ) (ZA) (ZB) (ZC) (ZD) (ZE) (ZF) (ZG) (ZH) (ZI) (ZJ) (ZK) (ZL) (ZM) (ZN) (ZO) (ZP) (ZQ) (ZR) (ZS) (ZT) (ZU) (ZV) (ZW) (ZX) (ZY) (ZZ)

PROJEKTOR: **JS PROPOTEC A/S**  
 HÅKESKJØL 1 - 9800 Jæring - Tlf. 98 90 35 66 - info@jpropotec.com - www.jpropotec.com

PROJEKT: LAP 200  
 DOKUMENT: Rotor HP Model  
 DOKUMENT TYP: Assembly drawing  
 Dato: 08-04-2020  
 Tegning: 201873

Skala: 1 : 5  
 Format: A3  
 Side: 2 af 2  
 Vægt: 65,9 kg

This drawing is the property of JS Propotec A/S. Håkeskjøl 1, DK-9800 Jæring, Denmark and shall not be reproduced or further distributed without the prior written consent of JS Propotec A/S.



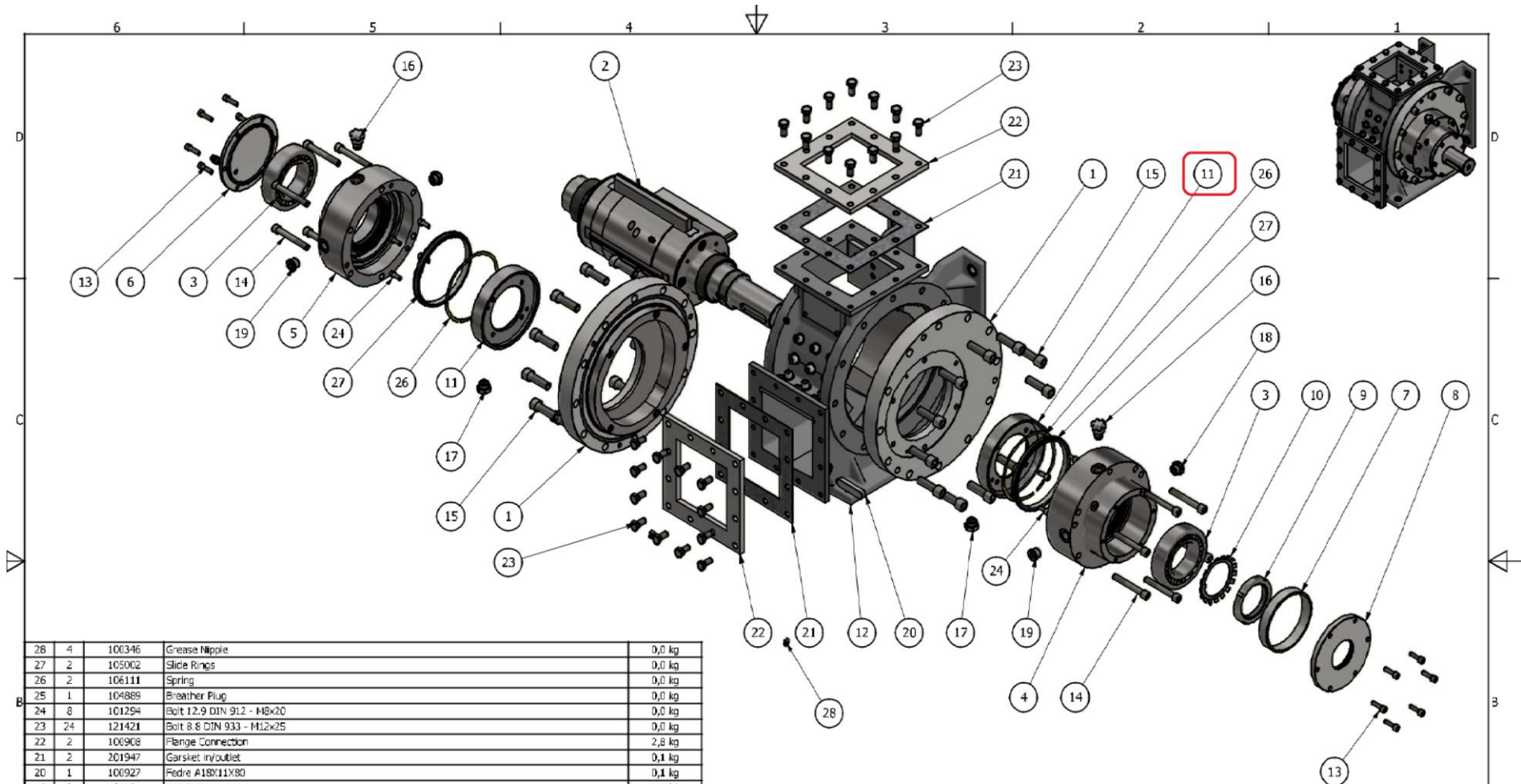
Item	Qty	Part No.	Description	Weight
5	1	101720	O-Ring 5.33 x 978, ARP no. 381	0,0 kg
4	5	100966	Bolt 12.9 DIN 912 - M10x45	0,0 kg
3	1	201859	Cam Disc HP Model	6,0 kg
2	1	101460	Wearing Plate	2,7 kg
1	1	201861	End Cover - big HP Model	22,0 kg

3 Billed afbildning Ikke angivet rundinger R0,8 Ikke angivet reftninger 0,5x45° Ikke angivet tolerance: ISO 13920-B, ISO 2768-m  
 PRODUKTIONSPROCES: EFTERBEHANDLING:

 Hvidevold 1 - 9800 Hjørring - Tlf. 98 90 35 66 - info@jsproptec.com - www.jsproptec.com	SKALA:	FORMAT:	SIDE:	VEGT:
	1 : 3	A3	1 af 1	30,9 kg

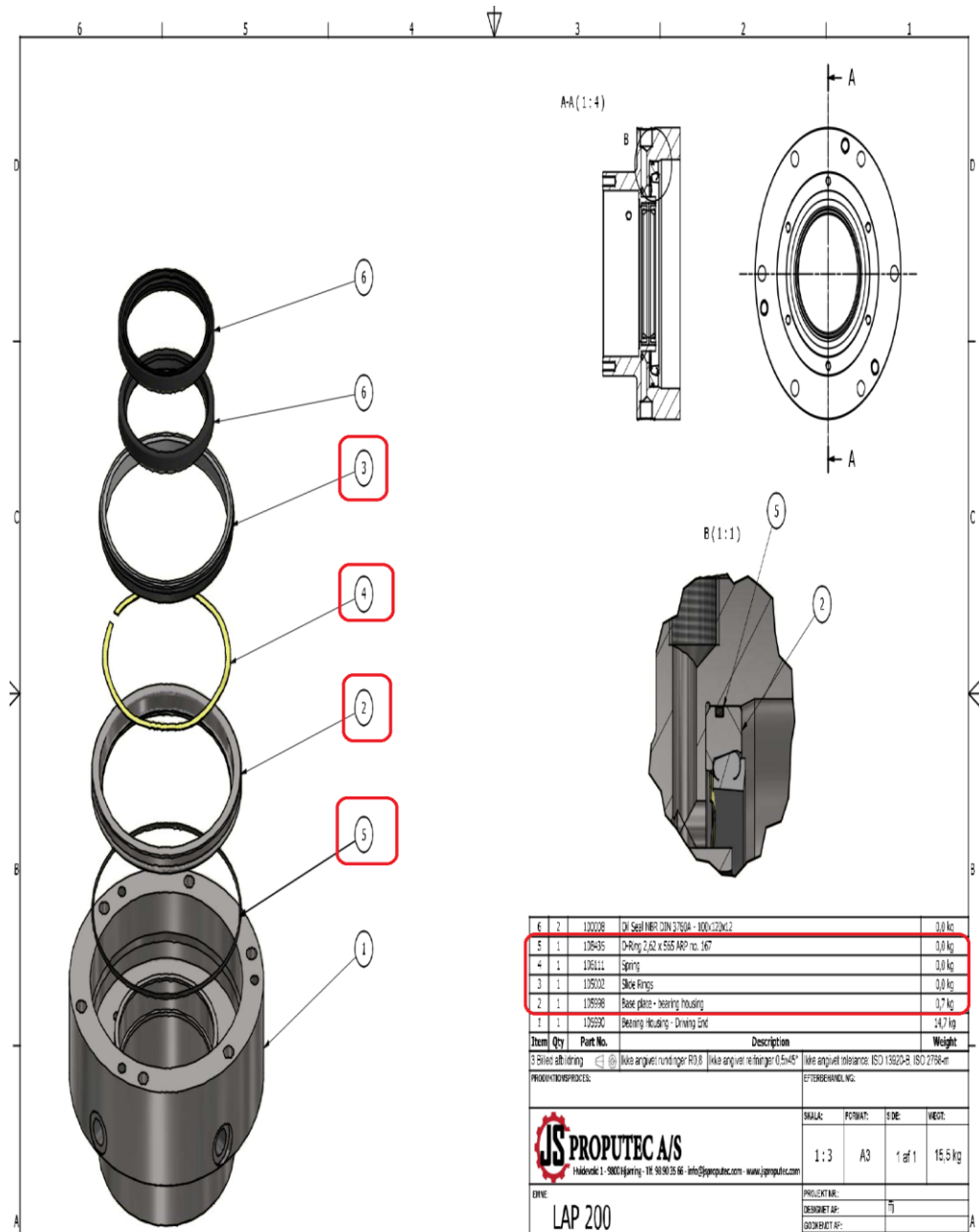
EMNE:	PROJEKT NR.:
LAP 200	DESIGNET AF:
Big end cover HP Model	GODKENDT AF:
Assembly drawing	DATE: 08-04-2020
	TILGANG: 201871
	REVISION:

This Drawing is the property of JS Prop.Aac A/S, Hvidevold 1, DK-9800 Hjørring, Denmark, and must not be reproduced or transferred to third parties without JS Prop.Aac's permission



Item	Qty	Part No.	Description	Weight
28	4	100346	Grease Nipple	0,0 kg
27	2	105002	Slide Rings	0,0 kg
26	2	106111	Spring	0,0 kg
25	1	104889	Breather Plug	0,0 kg
24	8	101294	Bolt 12.9 DIN 912 - M8x20	0,0 kg
23	24	121421	Bolt 8.8 DIN 933 - M12x25	0,0 kg
22	2	100908	Flange Connection	2,8 kg
21	2	201947	Gasket in/outlet	0,1 kg
20	1	100927	Redre A18x11x80	0,1 kg
19	2	101734	Head Plug	0,0 kg
18	2	101728	Visual oil level indicator	0,1 kg
17	2	101730	Magnetic Drain Plug	0,1 kg
16	2	101735	Breather Plug	0,1 kg
15	24	124840	Bolt 8.8 DIN 912 - M16x55	0,1 kg
14	12	104325	Bolt 8.8 DIN 912 - M12x30	0,1 kg
13	12	124681	Bolt 8.8 DIN 912 - M8x30	0,0 kg
12	1	201932	Pump housing HP Model	84,9 kg
11	2	105997	Base plate - rotor	1,6 kg
10	1	100413	Lock Ring MB16	0,1 kg
9	1	100412	Lock Nut KM16	0,4 kg
8	1	201916	Small end cover - driving end	1,8 kg
7	1	105993	Spacer - Driving end	0,4 kg
6	1	105992	End cover-small-driven end	1,5 kg
5	1	201915	Bearing housing - Driven end	14,3 kg
4	1	201914	Bearing Housing - Driving end	15,5 kg
3	2	100292	Bearing 222 16	1,9 kg
2	1	201873	Rotor HP Model	65,9 kg
1	2	201871	Bg end cover HP Model	30,9 kg

3 Billed afbildning		Ikke angivet rundinger R0.8		Ikke angivet reftninger: 0.5x45°		Ikke angivet tolerances: ISO 13920-B ISO 2768-m	
PRODUKTIONSPROCES:				EFTERBEHANDLING:			
 <b>JS PROPTEC A/S</b> Hvidevold 1 - 9800 Hjørring - Tlf. 98 90 35 66 - info@jspropotec.com - www.jspropotec.com				SKALA:	FORMAT:	SIDE:	VEGT:
				1 : 8	A3	3 af 3	266.0 kg
ERWE: <b>LAP 200</b> <b>Mechanical Seal - HP Model (C)</b> <b>Assembly Drawing</b>				PROJEKTØR: DESKRIKT AF: GODKENDT AF: DATO: 17-04-2020 TEGNING:			
				REVISION: <b>201949</b>			
<small>This Drawing is the property of JS Propotec A/S, Hvidevold 1, DK-9800 Hjørring, Denmark and must not be reproduced or transferred to third parties without JS Propotec's permission.</small>							



Item	Qty	Part No.	Description	Weight
6	2	100028	O-Ring NBR DIN 37608 - 100x120x2	0,0 kg
5	1	106305	O-Ring 2,62 x 5,55 ARP no. 167	0,0 kg
4	1	126111	Spring	0,0 kg
3	1	105102	Sleeve Rings	0,0 kg
2	1	105598	Base plate - bearing housing	0,7 kg
1	1	105590	Bearing housing - Driving End	14,7 kg

3 Blått stålning  $\leq 10^\circ$  like angivel runderge: R1,8 like angivel re flanger: 0,5x45° like angivel tolerans: ISO 15020-B, ISO 2768-M  
 PRODUKTIONSPROCES: EFTERBEHANDLING:

SKALA:	FORMAT:	SI DE:	VEGT:
1:3	A3	1 af 1	15,5 kg

EPN: LAP 200  
 Bearing Housing - Driving end  
 Assembly drawing  
 201914

This drawing is the property of JS Propotec A/S, Hvidekøbd, DK-1800 Copenhagen, Denmark and must not be reproduced or transmitted in any form without JS Propotec's permission.