
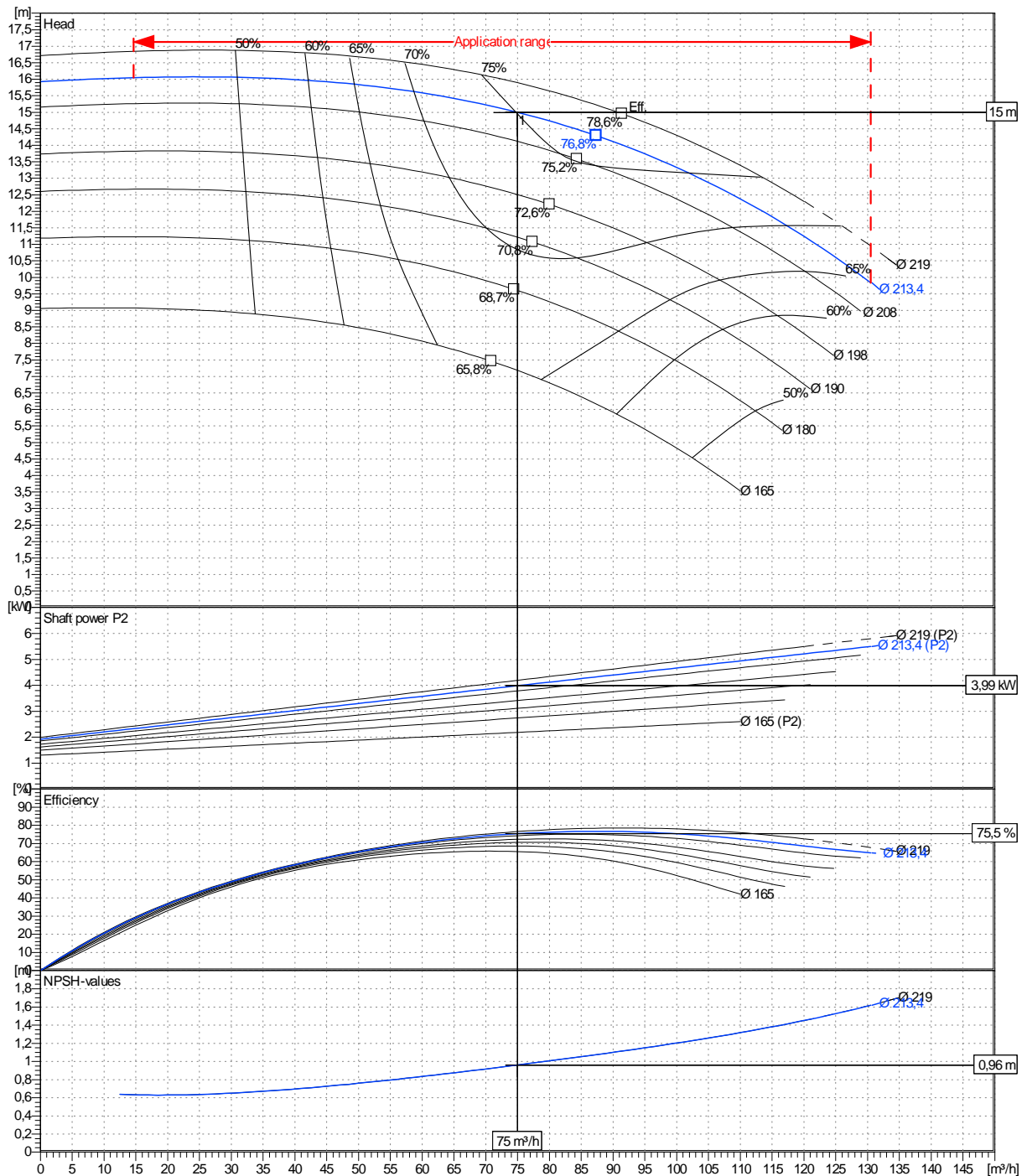


Operating data								
Design	FM							
Flow	m ³ /h	Nominal	75	Shaft power	kW	3,99		
		Max-		Max. shaft power at max. impeller	kW	5,92		
		Min-		Efficiency	%	75,5		
Head	m	Nominal	15	Speed	1/min	1450		
		Max-	15,93	Impeller construction	Closed			
		Min-		Impeller type	Multi channel impeller			
Static head	m	0		Impeller Ø	mm	Ø 213,4		
Inlet pressure	bar	0,097933		Fluid	Water, pure			
Suction port	Pressure rating		PN 16	Discharge port		Pressure rating	PN 16	
	Nominal size		DN 150	Discharge port		Nominal size		DN 80
	Norm		EN 1092-2	Discharge port		Norm		EN 1092-2
Motor								
Motor design	IM B5		Nominal speed	1/min	1465			
Size	132 S		Rated v voltage	V	400			
Circuit	Star-delta		Rated current	A	11,3			
Rated power	kW	5,5		1-phase / 3-phase	3~			
Frequency	Hz	50		Degree of protection	IP 55	IE2		
Description								
								
Materials								
Casing parts	G-CuSn10 (CC480K-GS)							
Impeller	G-CuSn10 (CC480K-GS)							
Casing wear rings	G-CuPb10Sn (CC495K-GS)							
Pump shaft	1.4571 (X6CrNiMoTi17-12-2)							
Shaft sleeve	1.4571 (X6CrNiMoTi17-12-2)							
Drive lantern	GG-25 (Cast iron EN-JL 1040)							
Prefilter casing	GG-20 (Cast iron EN-JL 1030 Rilsan-coated)							
Suction Strainer	1.4571 (X6CrNiMoTi17-12-2)							
Filterdeckel	G-CuSn10 (CC480K-GS)							
Mechanical seal	SIC / SIC / HNBR							
Project	Project ID			Created by	Created on	Page		
					2023-10-03	Page 1 / 3		

Impeller			
Impeller size	mm	Impeller type	Impeller construction
Ø 213,4		Multi channel impeller	Closed

Operating data									
Speed	1/min	Frequency	Hz	Flow	m ³ /h	Head	m	Suction port	Discharge port
1450		50		75		15		DN 150	DN 80

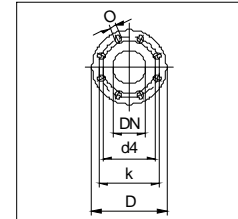
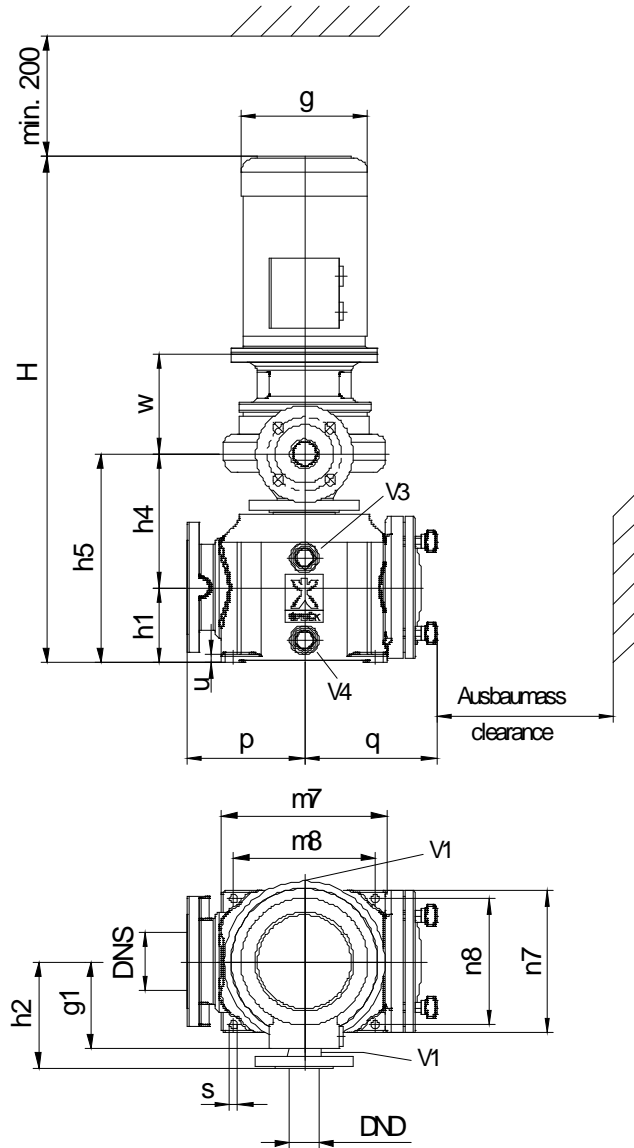
Power data referred to: Water, pure



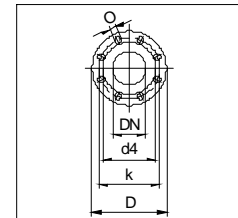
Project	Project ID	Created by	Created on	Page
			2023-10-03	

Dimension drawing
BADU Block 80/200

Vertical installation



DND	
D	200
d4	132
k	160
O	19



DNS	
D	285
d4	211
k	240
O	23

Dimensions in mm

Ausbaumass	400	q	233
DND	80	s	18
DNS	150	u	19
g	262	V1	R _p 3/8
g1	202	V3	G 3/4
H	1070	V4	G 1
h1	175	w	213
h2	250		
h4	287		
h5	462		
m7	350		
m8	300		
n7	306		
n8	265		
p	235		

Project	Project ID	Created by	Created on	Page
			2023-10-03	