

| | |
|-----------|-----------------|
| Seryjny | Znak |
| SERIAL | TAG |
| C00000265 | L1-S05-FCV-416A |
| C00000266 | L2-S05-FCV-416A |

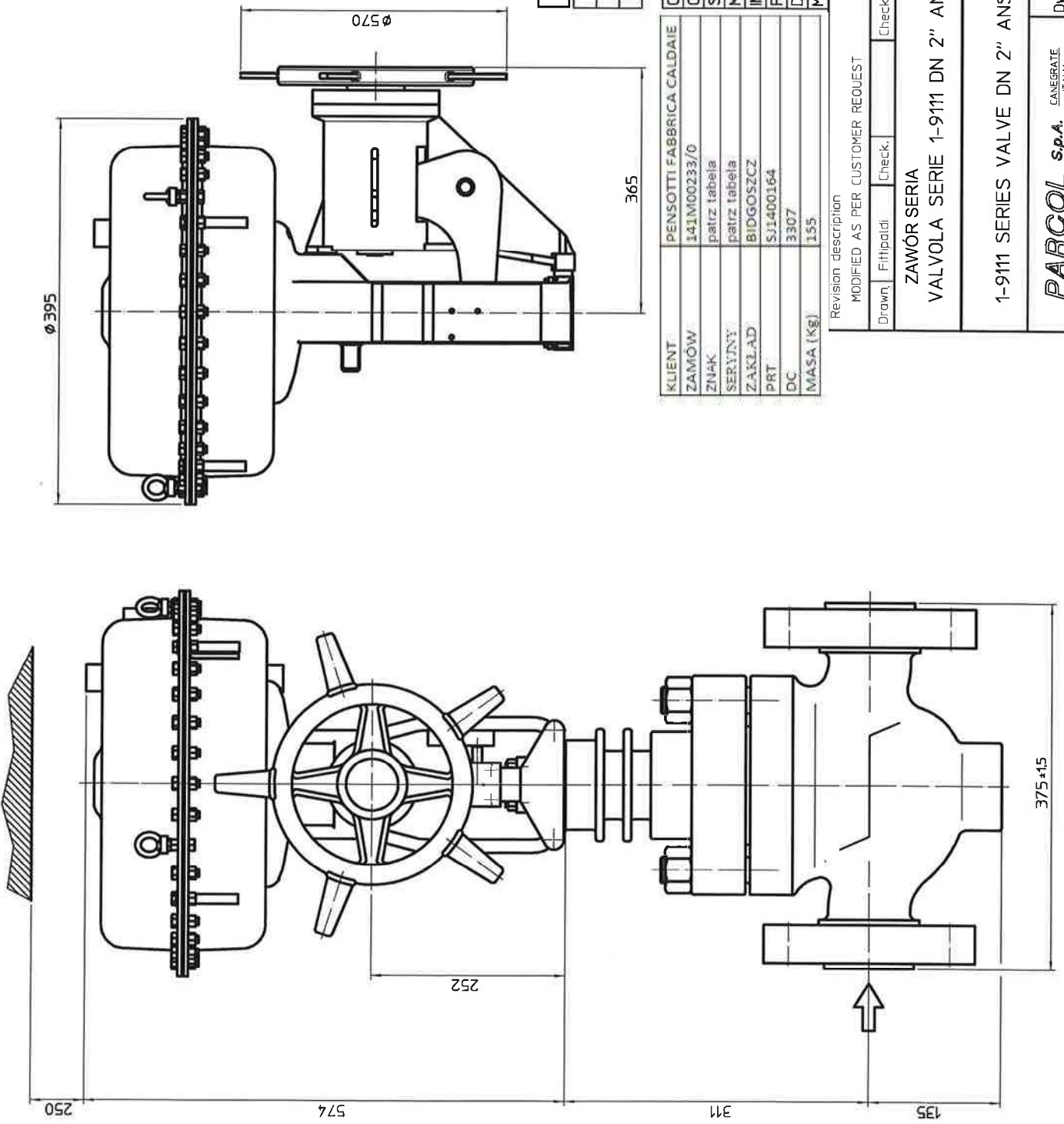
| | | | |
|------------|---------------------------|--------------------|---------------------------|
| KLIENT | PENSOTTI FABBRICA CALDAIE | CLIENTE - customer | PENSOTTI FABBRICA CALDAIE |
| ZAMÓW | 141M00233/0 | ORDINE - order | 141M00233/0 |
| ZNAK | patrz tabela | SIGLA - tag | See Table / Vedi tabella |
| SERYJNY | patrz tabela | MATRICOLA - serial | See Table / Vedi tabella |
| ZAKŁAD | BIDGOSZCZ | IMPIANTO - plant | BYDGOSZCZ |
| PRT | SJ1400164 | PRT | SJ1400164 |
| DC | | DC | |
| MASSA (kg) | 232 | MASSA - Mass (kg) | 232 |

| | | | |
|---|--------|--------|----------|
| Revision description | | | |
| SIDE DRIVEN HANDWHEEL ROTATED AS CUSTOMER REQUEST | | | |
| Drawn | Check. | Check. | Date |
| Fillipaldi | | Appf. | 21/05/14 |

ZAWÓR SERIA
VALVOLA SERIE 1-6943 DN 3" ANSI 900 RF

1-6943 SERIES VALVE DN 3" ANSI 900 RF

| | | | | | | | |
|---------------|---------------------|----------|----------|------|---|-------|---|
| PARCOL S.p.A. | CANEGRATE ITALIA | Dwg. NO. | 04114100 | Rev. | 1 | Sheet | 1 |
| | | | | | | of | 1 |



| | |
|-----------|-----------------|
| Seryjny | Znak |
| SERIAL | TAG |
| C00000267 | L1-S05-FCV-416B |
| C00000268 | L2-S05-FCV-416B |

| | |
|------------|---------------------------|
| KLIENT | PENSOTTI FABBRICA CALDAIE |
| ZAMÓW | 141M00233/0 |
| ZNAK | patrz tabella |
| SERYJNY | patrz tabella |
| ZAKŁAD | BIDGOSZCZ |
| PRT | SJ1400164 |
| DC | 3307 |
| MASSA (kg) | 155 |

| | |
|--------------------|---------------------------|
| CLIENTE - customer | PENSOTTI FABBRICA CALDAIE |
| ORDINE - order | 141M00233/0 |
| SIGLA - tag | See Table / Vedi tabella |
| MATRICOLA - serial | See Table / Vedi tabella |
| IMPIANTO - plant | BYDGOSZCZ |
| PRT | SJ1400164 |
| DC | 3307 |
| MASSA - Mass (kg) | 155 |

Revision description

MODIFIED AS PER CUSTOMER REQUEST

| | | | | |
|-------|-----------|--------|-------|----------|
| Drawn | Fittpaldi | Check. | Appr. | Date |
| | | | | 21/05/14 |

ZAWÓR SERIA
VALVOLA SERIE 1-9111 DN 2" ANSI 900 RF

1-9111 SERIES VALVE DN 2" ANSI 900 RF

| | | | | | |
|----------|----------|------|---|-------|---|
| Dwg. NO. | 04114200 | Rev. | 1 | Sheet | 1 |
| | | | | of | 1 |

PARCOL S.p.A. CANEGRATE ITALIA