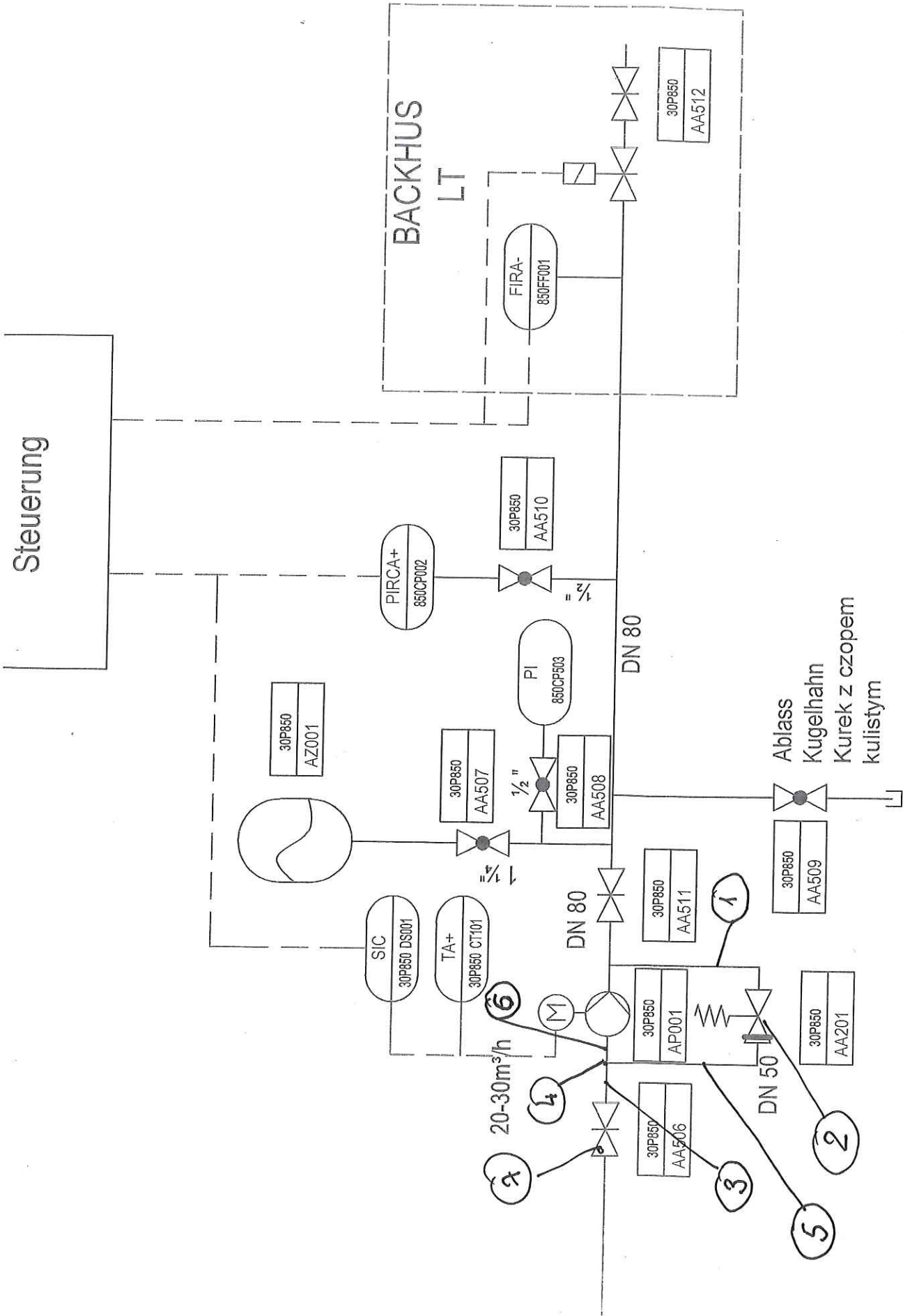


Steuerung



BACKHUS

LT

20-30m³/h

DN 80

DN 80

DN 50

Abläss
Kugelhahn
Kurek z czopem
kulistym

2

4

M

6

3

5

2

5

2

1

30P850
AA506

30P850
AA508

30P850
AA201

30P850
AA511

30P850
AA509

30P850
AA507

30P850
AA510

30P850
AA512

30P850
AA512

30P850
AA508

30P850
AA508

30P850
AA508

30P850
AA510

30P850
AA510

30P850
AA512

30P850
AA512

30P850
AA512

30P850
AZ001

30P850
AZ001

30P850
DS001

30P850
DS001

30P850
DS001

30P850
CT101

30P850
CT101

30P850
AA507

30P850
AA507

30P850
AA507

30P850
AA508

30P850
AA508

30P850
AA510

30P850
AA510

30P850
AA510

30P850
AA512

30P850
AA512

30P850
AA512

PIRCA+

850CP002

PI

850CP503

FIRA-

850FF001

30P850
AA512

30P850
AA512

30P850
AA512

30P850
AA512

30P850
AA512

30P850
AA512

30P850
AA512

30P850
AA512

30P850
AA512

PIRCA+

850CP002

PI

850CP503

FIRA-

850FF001

30P850
AA512

30P850
AA512

30P850
AA512

30P850
AA512

30P850
AA512

30P850
AA512

30P850
AA512

30P850
AA512

30P850
AA512

PIRCA+

850CP002

PI

850CP503

FIRA-

850FF001

30P850
AA512

30P850
AA512

30P850
AA512

30P850
AA512

30P850
AA512

30P850
AA512

30P850
AA512

30P850
AA512

30P850
AA512

PIRCA+

850CP002

PI

850CP503

FIRA-

850FF001

30P850
AA512

30P850
AA512

30P850
AA512

30P850
AA512

30P850
AA512

30P850
AA512

30P850
AA512

30P850
AA512

30P850
AA512

PIRCA+

850CP002

PI

850CP503

FIRA-

850FF001

30P850
AA512

30P850
AA512

30P850
AA512

30P850
AA512

30P850
AA512

30P850
AA512

30P850
AA512

30P850
AA512

30P850
AA512

PIRCA+

850CP002

PI

850CP503

FIRA-

850FF001

30P850
AA512

30P850
AA512

30P850
AA512

30P850
AA512

30P850
AA512

30P850
AA512

30P850
AA512

30P850
AA512

30P850
AA512

PIRCA+

850CP002

PI

850CP503

FIRA-

850FF001

30P850
AA512

30P850
AA512

30P850
AA512

30P850
AA512

30P850
AA512

30P850
AA512

30P850
AA512

30P850
AA512

30P850
AA512